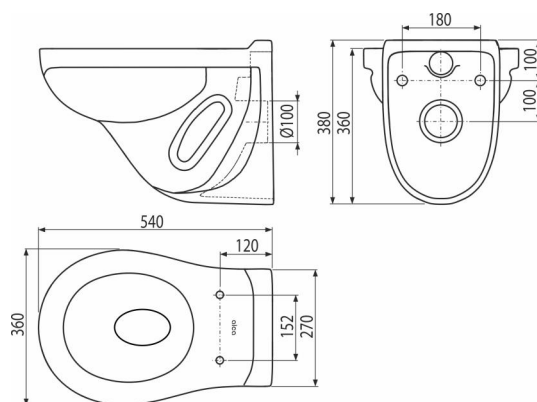


# WC ALCA

## Wall-hung WC



### Application

For installing on pre-wall installation systems  
For wall mounting

### Features

- Color: white
- Deep flushing
- Compatible with WC seats A60, A601, A602, A603, A604, A606, A64SLIM
- Material: ceramic
- Attachment pitch 180 mm

### Scope of supply

- Toilet bowl

### Order number, Logistic information

Code	EAN	Weight (piece   packing   palett)	Dimensions (piece   packing)	Quantity (packing   palett)
WC ALCA	4810531099796	16,50   16,50   218,0 kg	645×430×380   - mm	1   12 pcs

### Warranty

2/2 years \*

### Norms

EN 997

### Technical specifications

- Volume of flushing 3/6 l