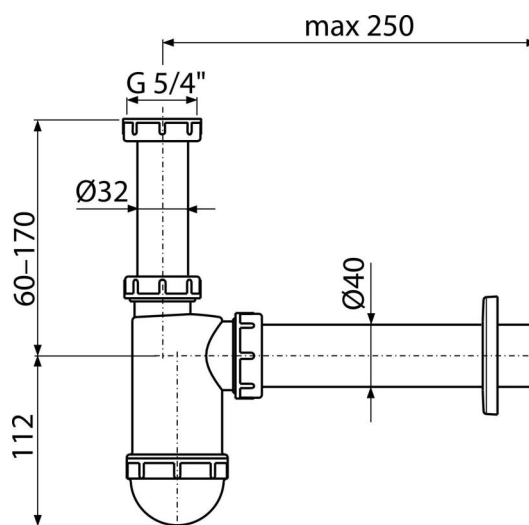


A43

Wash-basin trap DN40 with coupling nut 5/4"



Application

For wash-basin

Features

- Material: polypropylene
- Connection to waste pipe $\varnothing 40$ mm

Scope of supply

- Nut to connect wash-basin waste 5/4"
- Plastic rosette
- Waste and trap body

Order number, Logistic information

Code	EAN	Weight (piece packing palett)	Dimensions (piece packing)	Quantity (packing palett)
A43	8594045930184	0,25 6,24 194,7 kg	220x80x140 590x240x390 mm	25 700 pcs

Warranty

2/3 years *

Norms

EN 274

Technical specifications

- Flow rate 38 l/min
- Thermal resistance 95 °C
- Odour trap 58 mm