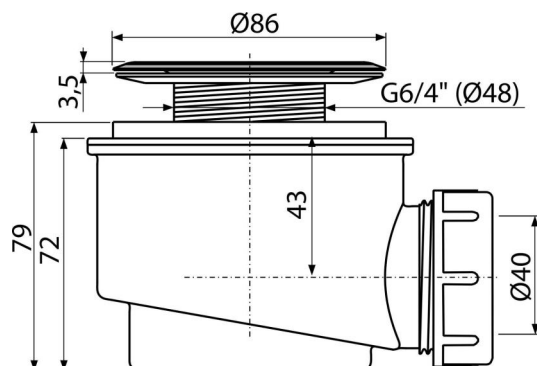


# A46-60

Shower waste and trap with stainless steel grid



### Application

To drain the water from the shower trays  
 For shower trays without overflow  
 For shower trays with a drain outlet Ø60 mm

### Features

- Material: polypropylene, thermally and chemically resistant, longitudinally welded
- Waste can be connected using elbow A52
- Self-cleaning design of trap
- Building height 79 mm

### Scope of supply

- Assembly kit
- Stainless steel outlet grid
- Waste and trap body

### Order number, Logistic information

Code	EAN	Weight (piece   packing   palett)	Dimensions (piece   packing)	Quantity (packing   palett)
A46-60	8594045930207	60 mm 0,22   6,56   203,5 kg	160×120×140   590×240×390 mm	30   840 pcs

**Warranty**  
2/3 years \*

**Norms**  
EN 274

### Technical specifications

- Flow rate 47 l/min
- Thermal resistance 95 °C
- Odour trap 50 mm