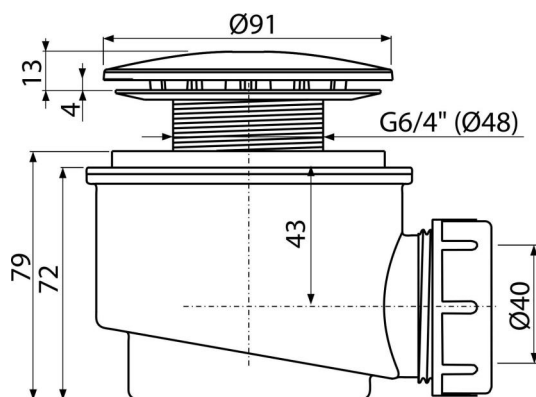


A47B-60

Shower waste and trap, white-polished



Application

To drain the water from the shower trays
 For shower trays without overflow
 For shower trays with a drain outlet Ø60 mm

Features

- Material: polypropylene, thermally and chemically resistant, longitudinally welded
- Waste can be connected using elbow A52
- Self-cleaning design of trap
- Building height 79 mm
- Removable basket for debris

Order number, Logistic information

Code	EAN	Weight (piece packing palett)	Dimensions (piece packing)	Quantity (packing palett)
A47B-60	8594045930214	60 mm 0,24 7,09 218,5 kg	160×100×120 590×240×390 mm	30 840 pcs

Warranty

2/3 years *

Norms

EN 274

Technical specifications

- Flow rate 48 l/min 48 l/min
- Thermal resistance 95 °C
- Odour trap 50 mm