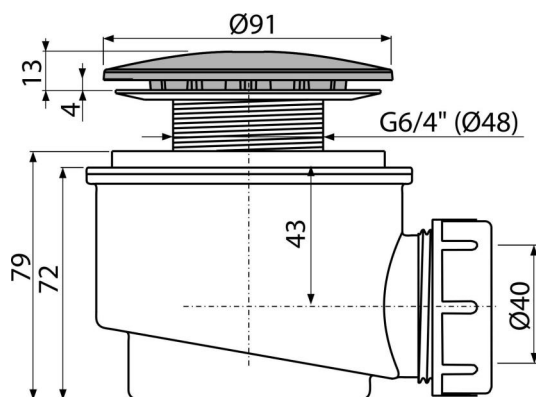


# A47CR-60

Shower waste and trap, chrome



### Application

To drain the water from the shower trays  
 For shower trays without overflow  
 For shower trays with a drain outlet Ø60 mm

### Features

- Material: polypropylene, thermally and chemically resistant, longitudinally welded
- Waste can be connected using elbow A52
- Self-cleaning design of trap
- Building height 79 mm
- Removable basket for debris

### Scope of supply

- Assembly kit
- Chrome-plated waste and trap cover
- Waste and trap body

### Order number, Logistic information

| Code     | EAN           | Weight<br>(piece   packing   palett) | Dimensions<br>(piece   packing) | Quantity<br>(packing   palett) |
|----------|---------------|--------------------------------------|---------------------------------|--------------------------------|
| A47CR-60 | 8594045930221 | 60 mm<br>0,24   7,25   222,9 kg      | 160×100×120   590×240×390 mm    | 30   840 pcs                   |

### Warranty

2/3 years \*

### Norms

EN 274

### Technical specifications

- Flow rate 49 l/min
- Thermal resistance 95 °C
- Odour trap 50 mm