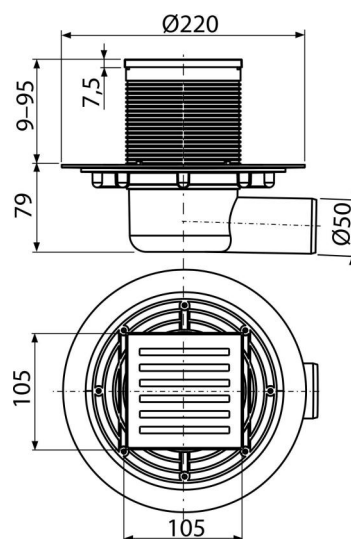


# APV103

Floor drain 105×105/50 mm side outlet, stainless steel grid, wet odour trap



### Application

For wheelchair access  
For the interior, where will be frequent use associated with the regular water runoff into the floor drain (bathrooms)

### Features

- Side connection to waste Ø50 mm
- Compatibility with floor drains parts including wet, dry and combined odour trap SMART
- Solid brass grid 102×102×4 mm
- Material: stainless steel AISI 304, DIN 1.4301
- Material: polypropylene resistant to mechanical, chemical and thermal damage
- Mechanically cleanable trap up to the waste pipe
- Wide insulation collar for connection to waterproofing construction
- Wet odour trap prevents the penetration of odours from the sewer
- Height adjustable throat 9–95 mm

### Scope of supply

- Design stainless steel grid
- Floor drain throat 105×105 mm
- Seal kit
- Floor drain body Ø50 mm, side outlet
- Wet odour trap

### Order number, Logistic information

Code	EAN	Weight (piece   packing   palett)	Dimensions (piece   packing)	Quantity (packing   palett)
APV103	8594045930436	0,96   7,69   173,8 kg	230×190×230   780×245×475 mm	8   160 pcs

Warranty	Customs code	Norms
2/6 years *	39269097	EN 1253

### Technical specifications

- Total installation height 88-174 mm
- Resistance of odour trap against the pressure 480 Pa
- Waste pipe diameter 50 mm
- Flow of the inlet grid 46 l/min
- Load class K3 300 kg
- Odour trap 51 mm