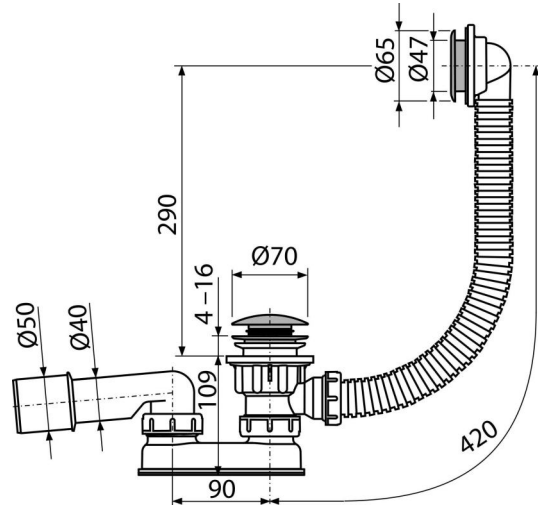


A503KM

Shower waste and trap CLICK/CLACK, metal



Application

To drain the water from the deep shower tray
For shower trays with overflow

Features

- Overflow flexi pipe
- Closing waste by CLICK/CLACK
- Shower waste and overflow system
- Wet odour trap with swivel elbow

Scope of supply

- Waste outlet wrench 6/4"
- Assembly kit
- Chrome-plated metal plug
- Chrome-plated brass outlet grid
- Chrome-plated plastic overflow grid
- Waste and trap body with overflow
- Odour trap of polypropylene, thermally and chemically resistant, longitudinally welded

Order number, Logistic information

Code	EAN	Weight (piece packing palett)	Dimensions (piece packing)	Quantity (packing palett)
A503KM	8594045930467	0,52 13,07 229,1 kg	400x100x210 595x435x395 mm	25 400 pcs

Warranty

2/3 years *

Norms

EN 274

Technical specifications

- Resistance of odour trap against the pressure 588 Pa
- Flow rate 48,6 l/min
- Overflow flow rate 42 l/min
- Thermal resistance 95 °C
- Odour trap 50 mm