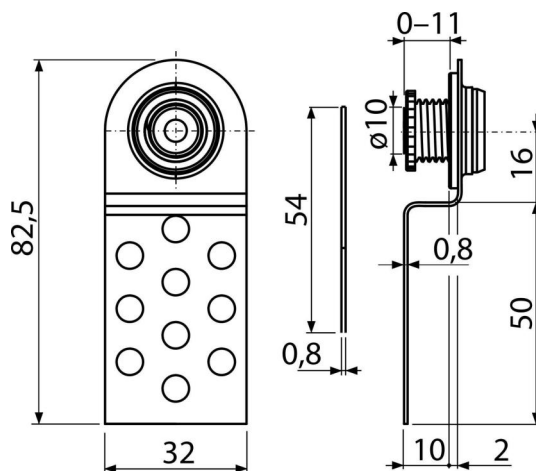
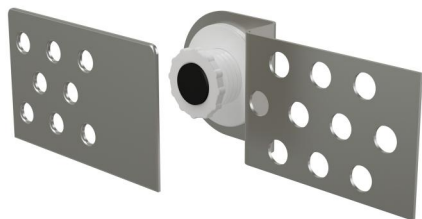


# AVD004

Bath access door magnetic (under the tiles), adjustable height



### Application

To cover the service opening

### Features

- Bath access metal door (underneath the tiles)
- Material: metal
- The bath doors become part of the tiles, they are also height adjustable

### Scope of supply

- Lower part with magnet
- Top part for glueing tiles

### Order number, Logistic information

Code	EAN	Weight (piece   packing   palett)	Dimensions (piece   packing)	Quantity (packing   palett)
AVD004	8594045930559	0,14   14,40   - kg	84x15x32   770x260x260 mm	100   - pc

### Warranty

2/2 years \*

### Technical specifications

- Load capacity of 1 pc of magnet 1 kg