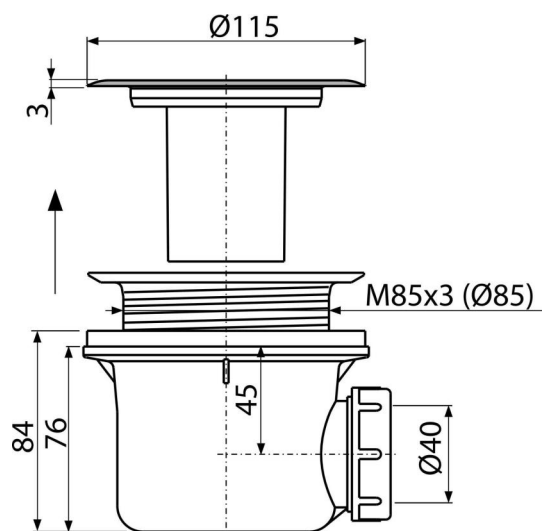


A48

Shower waste and trap with stainless steel grid



Application

- To drain the water from the shower trays
- For shower trays without overflow
- For shower trays with a drain outlet Ø90 mm

Features

- Material: polypropylene, thermally and chemically resistant, longitudinally welded
- Waste can be connected using elbow A52
- Fully cleanable up to the waste pipe
- Building height 84 mm

Scope of supply

- Assembly kit
- Chrome-plated stainless steel outlet grid
- Waste and trap body

Order number, Logistic information

Code	EAN	Weight (piece packing palett)	Dimensions (piece packing)	Quantity (packing palett)
A48	8594045930603	0,29 7,07 218,0 kg	150×100×140 590×240×390 mm	24 672 pcs

Warranty

2/3 years *

Norms

EN 274

Technical specifications

- Flow rate 43 l/min
- Thermal resistance 95 °C
- Odour trap 50 mm