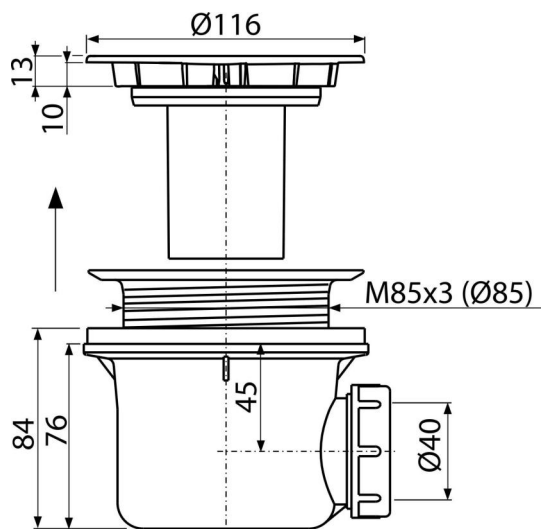


A49B

Shower waste and trap, white-polished



Application

To drain the water from the shower trays
 For shower trays without overflow
 For shower trays with a drain outlet Ø90 mm

Features

- Material: polypropylene, thermally and chemically resistant, longitudinally welded
- Waste can be connected using elbow A52
- Fully cleanable up to the waste pipe
- Building height 84 mm

Scope of supply

- White plastic waste and trap cover
- Assembly kit
- Waste and trap body

Order number, Logistic information

Code	EAN	Weight (piece packing palett)	Dimensions (piece packing)	Quantity (packing palett)
A49B	8594045930610	0,29 7,01 216,4 kg	150x110x140 590x240x390 mm	24 672 pcs

Warranty
 2/3 years *

Norms
 EN 274

Technical specifications

- Flow rate 43 l/min
- Thermal resistance 95 °C
- Odour trap 50 mm