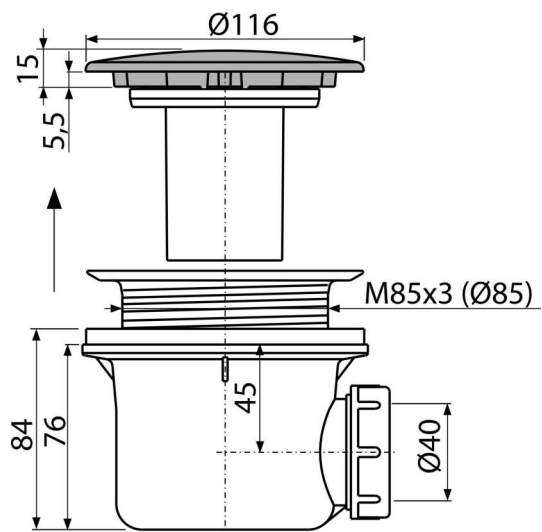


# A49K

## Shower waste and trap, metal LUX



### Application

- To drain the water from the shower trays
- For shower trays without overflow
- For shower trays with a drain outlet Ø90 mm

### Features

- Material: polypropylene, thermally and chemically resistant, longitudinally welded
- Waste can be connected using elbow A52
- Fully cleanable up to the waste pipe
- Building height 84 mm

### Scope of supply

- Assembly kit
- Chrome-plated metal waste and trap cover
- Waste and trap body

### Order number, Logistic information

Code	EAN	Weight (piece   packing   palett)	Dimensions (piece   packing)	Quantity (packing   palett)
A49K	8594045930634	0,42   10,15   304,1 kg	150x110x140   590x240x390 mm	24   672 pcs

### Warranty

2/3 years \*

### Norms

EN 274

### Technical specifications

- Flow rate 43 l/min
- Thermal resistance 95 °C
- Odour trap 50 mm