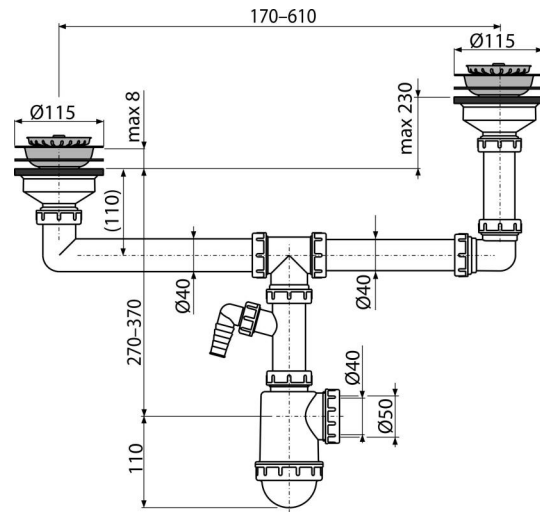


A454P

Double sink wastes and trap with stainless steel grids DN115 and connector, two-level



Application

For two-piece sinks with different depth

Features

- Material: polypropylene
- With connector for washing machine or dishwasher
- Screen on the waste serves as a plug
- Waste outlet ready for connection to drain pipe $\varnothing 50$ mm or $\varnothing 40$ mm

Scope of supply

- Stainless steel outlet grid 2 pcs
- Stainless steel plug 2 pcs
- Waste and trap body with two outlets and connector

Order number, Logistic information

Code	EAN	Weight (piece packing palett)	Dimensions (piece packing)	Quantity (packing palett)
A454P	8594045930641	0,99 7,95 242,6 kg	420×120×190 590×430×390 mm	8 224 pcs

Warranty

2/3 years *

Norms

EN 274

Technical specifications

- Hose connector 17 mm
- Flow through two outlets 83,4 l/min
- Flow through one outlet 49,8 l/min
- Thermal resistance 95 °C
- Odour trap 50 mm