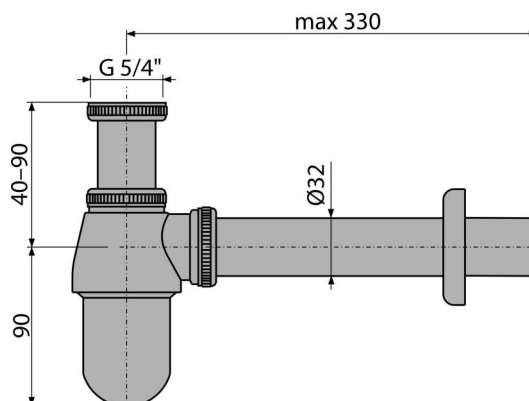


# A431

Wash-basin trap DN32 with coupling nut 5/4", metal



### Application

For wash-basin

### Features

- Material: chrome-plated brass
- Connection to waste pipe Ø32 mm
- High scratch resistance

### Scope of supply

- Nut to connect wash-basin waste 5/4"
- Metal rosette
- Waste and trap body

### Order number, Logistic information

Code	EAN	Weight (piece   packing   palett)	Dimensions (piece   packing)	Quantity (packing   palett)
A431	8594045930665	0,60   12,07   357,8 kg	325x120x60   590x240x390 mm	20   560 pcs

### Warranty

2/3 years \*

### Customs code

74182000

### Norms

EN 274

### Technical specifications

- Flow rate 34 l/min
- Thermal resistance 95 °C
- Odour trap 50 mm