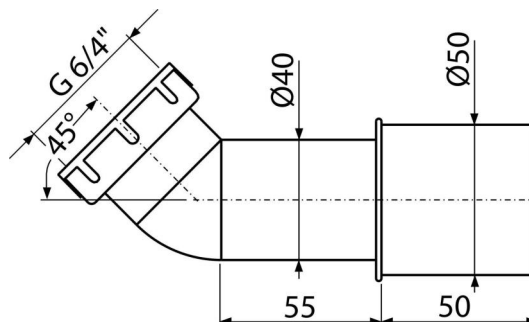


A52

Elbow 45°



Application

For shower wastes and traps

For bath wastes and traps in combination with A53-6/4"

Features

- Material: ABS
- Connection to waste pipe Ø40/50 mm

Scope of supply

- Elbow 45°
- Seal

Order number, Logistic information

Code	EAN	Weight (piece packing palett)	Dimensions (piece packing)	Quantity (packing palett)
A52	8594045930696	0,08 5,89 184,9 kg	170×50×120 590×240×390 mm	75 2100 pcs

Warranty

2/2 years *