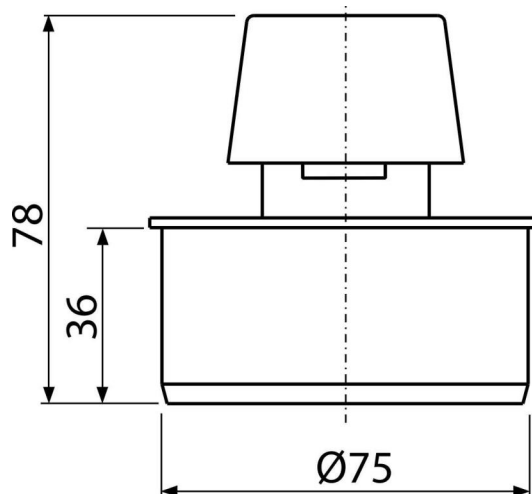
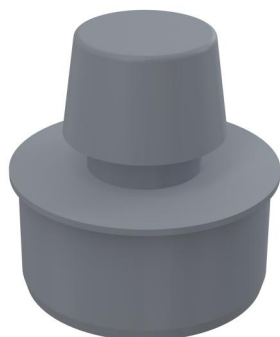


# APH75

Air admittance valve DN75



### Application

Air admittance to the waste pipe

### Features

- Material: polypropylene
- Allows air to be sucked into the waste pipe if vacuum occurs in the system
- It prevents the penetration of odour from the waste pipe
- Ø75 mm

### Scope of supply

- Head

### Order number, Logistic information

Code	EAN	Weight (piece   packing   palett)	Dimensions (piece   packing)	Quantity (packing   palett)
APH75	8594045930863	0,06   2,85   65,6 kg	78x80x80   330x270x300 mm	50   800 pcs

Warranty	Customs code	Norms
2/2 years *	39174000	EN 12380