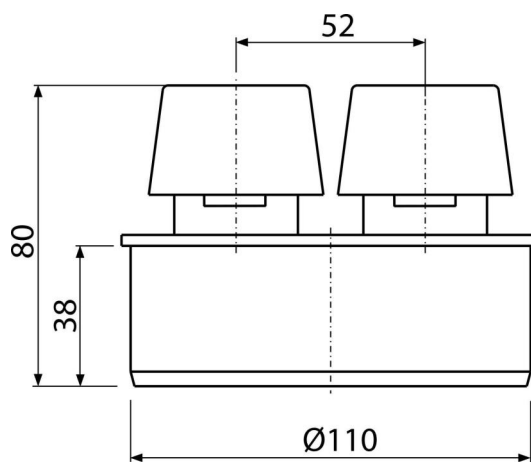
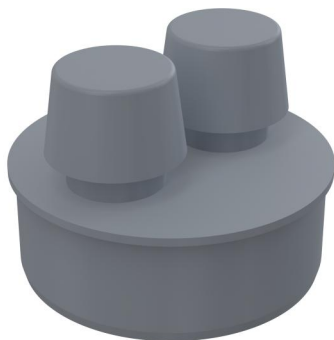


# APH110

Air admittance valve DN110



#### Application

Air admittance to the waste pipe

#### Features

- Material: polypropylene
- Allows air to be sucked into the waste pipe if vacuum occurs in the system
- It prevents the penetration of odour from the waste pipe
- Ø110 mm

#### Scope of supply

- Head

#### Order number, Logistic information

Code	EAN	Weight (piece   packing   palett)	Dimensions (piece   packing)	Quantity (packing   palett)
APH110	8594045930870	0,12   6,10   117,6 kg	115x80x110   580x400x330 mm	50   800 pcs

Warranty	Customs code	Norms
2/2 years *	39174000	EN 12380

#### Technical specifications

- Airflow at 250 Pa 2,4 l/s