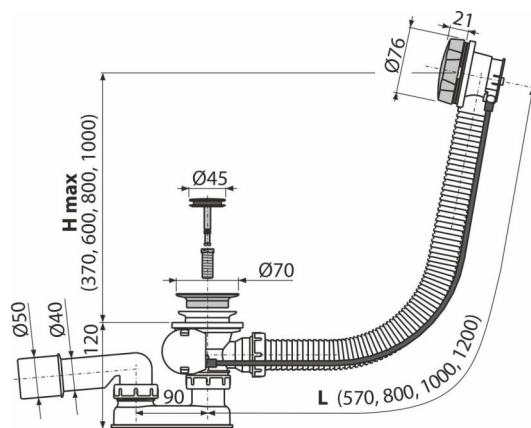


A55K

Bath pop-up waste and trap, metal



Application

To drain the water from the bath to the waste
 For bathtubs with drain outlet Ø52 mm
 For standard size bathtubs

Features

- The length of the bathtub trap 57 cm
- Overflow flexi pipe
- Closing waste by pop-up mechanism
- Bath waste and overflow system
- Wet odour trap with swivel elbow

Scope of supply

- Assembly kit
- Chrome-plated metal control knob
- Chrome-plated metal plug
- Chrome-plated brass outlet grid
- Waste and trap body with overflow
- Profiled seal
- Odour trap of polypropylene, thermally and chemically resistant, longitudinally welded

Order number, Logistic information

Code	EAN	Weight (piece packing palett)	Dimensions (piece packing)	Quantity (packing palett)
A55K	8594045930962	0,79 15,75 272,0 kg	380x85x145 595x435x395 mm	20 320 pcs

Warranty

2/3 years *

Norms

EN 274

Technical specifications

- Resistance of odour trap against the pressure 588 Pa
- Flow rate 51,6 l/min
- Overflow flow rate 42 l/min
- Thermal resistance 95 °C
- Odour trap 50 mm