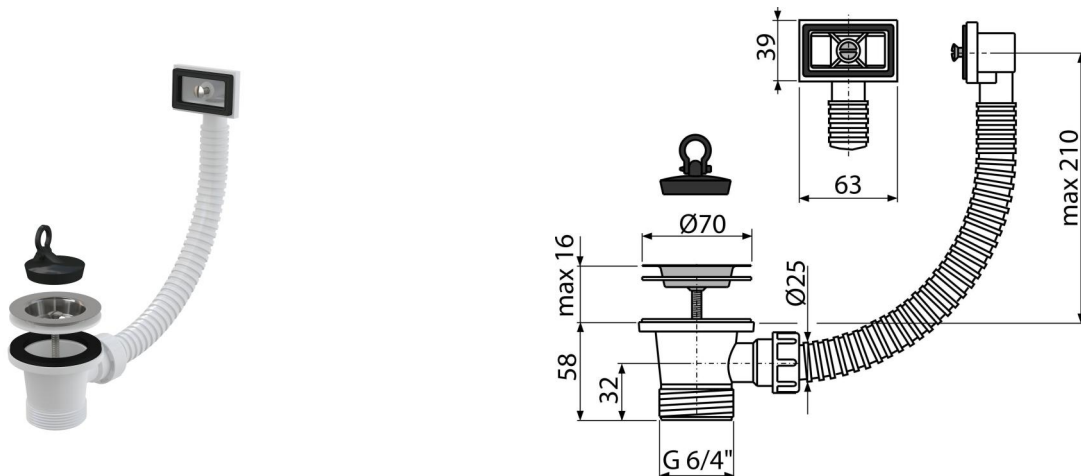


A331

Sink waste 6/4" with stainless steel grid DN70 and flexi overflow



Application

For sink with overflow
For sink wastes and traps

Features

- Material: polypropylene
- Thread for connection to the sink trap 6/4"

Scope of supply

- Stainless steel outlet grid
- Sink waste body with overflow
- PVC plug

Order number, Logistic information

Code	EAN	Weight (piece packing palett)	Dimensions (piece packing)	Quantity (packing palett)
A331	8594045931341	0,17 6,84 211,5 kg	300x70x70 590x240x390 mm	40 1120 pcs

Warranty

2/3 years *

Norms

EN 274

Technical specifications

- Thread for connection to the trap 6/4 "