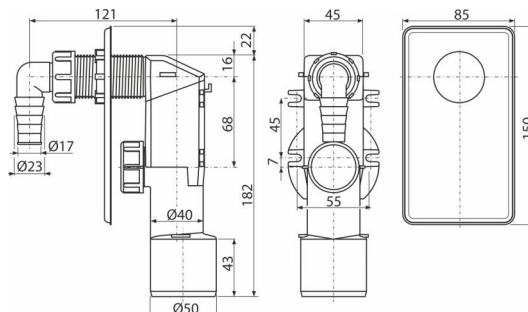


APS4

Concealed washing machine trap, white DN40 and DN50



Application

For installation under plaster
To connect the washing machine or dishwasher

Features

- Hooks for a firmer fixing on the wall
- Installation stoppers to connect HT50
- Material: polypropylene
- Connection to HT 40/50
- Service access for easy cleaning

Scope of supply

- Elbow
- Plastic cover
- Waste and trap body

Order number, Logistic information

Code	EAN	Weight (piece packing palett)	Dimensions (piece packing)	Quantity (packing palett)
APS4	8594045931402	0,19 7,57 231,9 kg	180x70x150 590x240x390 mm	40 1120 pcs

Warranty 2/3 years *	Customs code 39229000	Norms EN 274
--------------------------------	---------------------------------	------------------------

Technical specifications

- Flow rate 16,8 l/min
- Thermal resistance 95 °C
- Odour trap 50 mm