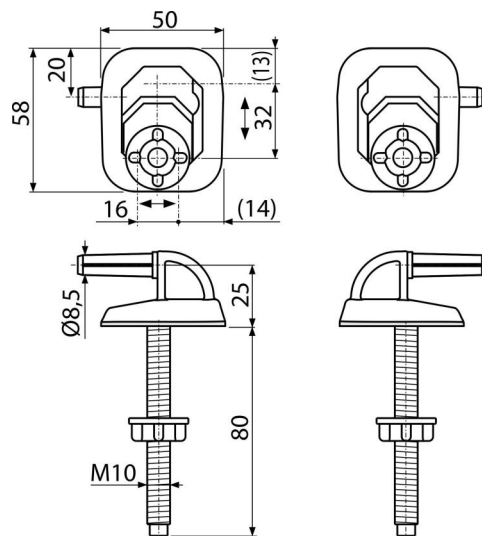


# P0009-ND

Hinges for A60



### Application

For WC seat A60

### Features

- Plastic body
- Wide range of settings – high compatibility

### Scope of supply

- Plastic screw with nut 2 pcs
- Plastic holder 2 pcs

### Order number, Logistic information

Code	EAN	Weight (piece   packing   palett)	Dimensions (piece   packing)	Quantity (packing   palett)
P0009-ND	8594045931969	0,07   0,07   - kg	100x80x55   - mm	1   - pc

### Warranty

2/2 years \*