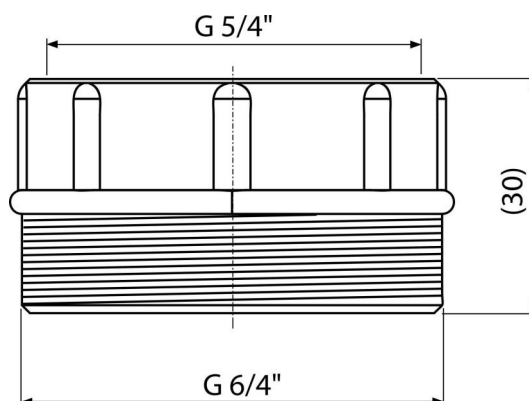


# S0556-ND

Reduction 6/4"×5/4"



### Application

For fixing sink trap on the wash-basin waste

### Features

- Material: polypropylene

### Scope of supply

- Reduction 5/4" × 6/4"
- Seal

### Order number, Logistic information

Code	EAN	Weight (piece   packing   palett)	Dimensions (piece   packing)	Quantity (packing   palett)
S0556-ND	8594045932799	0,01   1,25   60,0 kg	50×30×50   – mm	100   3200 pcs

### Warranty

2/2 years \*