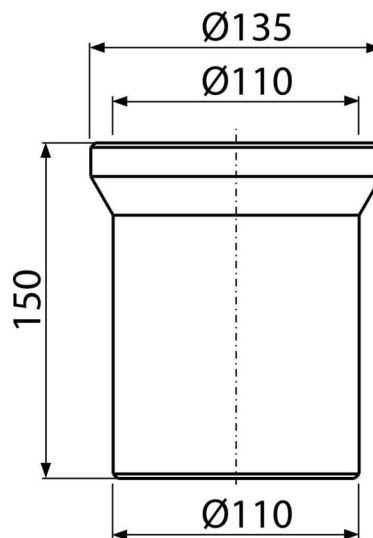


A91-150

WC connector – length 150 mm



Application

To connect the WC bowl to the drain pipe

Features

- Length 150 mm
- Material: polypropylene
- Connection to waste Ø110 mm

Scope of supply

- Seal
- Pipe

Order number, Logistic information

Code	EAN	Weight (piece packing palett)	Dimensions (piece packing)	Quantity (packing palett)
A91-150	8594045932812	0,23 7,04 132,7 kg	150x135x135 590x430x390 mm	30 480 pcs

Warranty

2/2 years *