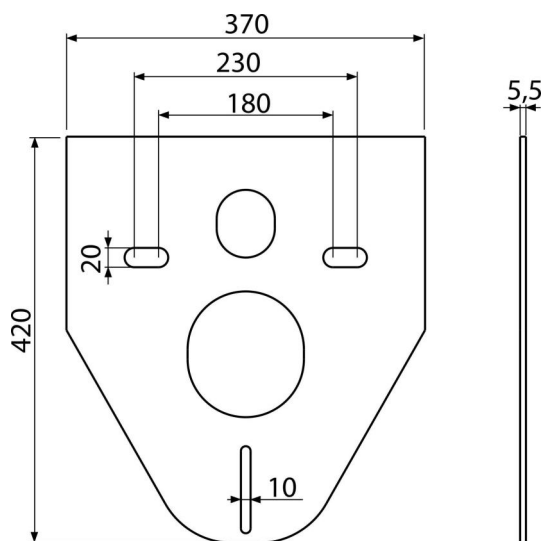
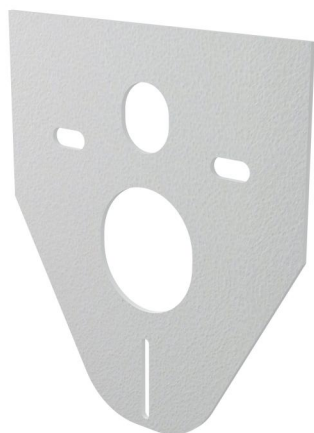


M91

Noise insulation for wall-hung WC and bidets



Application

For mounting ceramics with connecting pitches 180 mm and 230 mm
To compensate the inequalities between the ceramics and the tiles
For WC and wall-hung bidet

Features

- No memory effect
- Simply trimable to the shape of the used ceramics
- Material: XLPE
- Interrupts the transmission of vibrations between the wall and the ceramics

Scope of supply

- Insulation board

Order number, Logistic information

Code	EAN	Weight (piece packing palett)	Dimensions (piece packing)	Quantity (packing palett)
M91	8594045933024	0,05 7,64 50,5 kg	420x370x5,5 640x610x530 mm	150 600 pcs

Warranty

2/2 years *