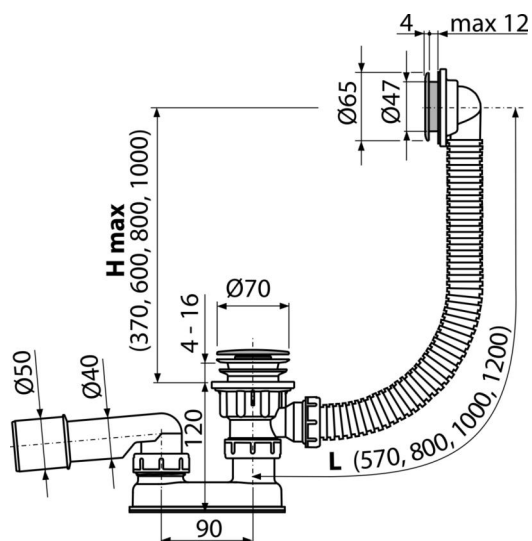


A505CRM

Bath CLICK/CLACK waste and trap, chrome



Application

To drain the water from the bath to the waste
For bathtubs with drain outlet Ø52 mm
For standard size bathtubs

Features

- The length of the bathtub trap 57 cm
- Overflow flexi pipe
- Closing waste by CLICK/CLACK
- Bath waste and overflow system
- Wet odour trap with swivel elbow

Scope of supply

- Assembly kit
- Plastic wash-basin waste
- Chrome-plated plastic overflow grid
- Chrome-plated plastic plug
- Waste and trap body with overflow
- Profiled seal
- Odour trap of polypropylene, thermally and chemically resistant, longitudinally welded

Order number, Logistic information

Code	EAN	Weight (piece packing palett)	Dimensions (piece packing)	Quantity (packing palett)
A505CRM	8594045933239	0,44 8,74 159,9 kg	330×100×220 590×430×390 mm	20 320 pcs

Warranty
2/3 years *

Norms
EN 274

Technical specifications

- Resistance of odour trap against the pressure 588 Pa
- Flow rate 48,6 l/min
- Overflow flow rate 42 l/min
- Thermal resistance 95 °C
- Odour trap 50 mm