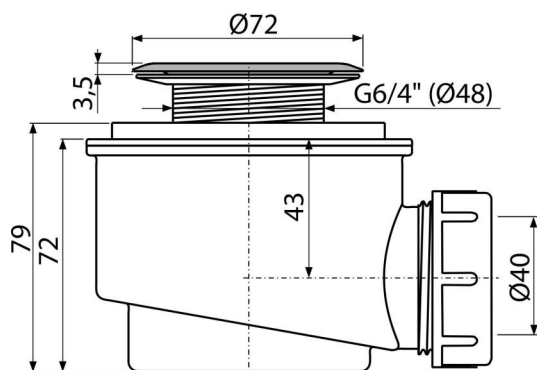


A46-50

Shower waste and trap with stainless steel grid



Application

To drain the water from the shower trays
 For shower trays without overflow
 For shower trays with a drain outlet Ø50 mm

Features

- Material: polypropylene, thermally and chemically resistant, longitudinally welded
- Waste can be connected using elbow A52
- Self-cleaning design of trap
- Building height 79 mm

Scope of supply

- Assembly kit
- Stainless steel outlet grid
- Waste and trap body

Order number, Logistic information

Code	EAN		Weight (piece packing palett)	Dimensions (piece packing)	Quantity (packing palett)
A46-50	8594045933376	50 mm	0,21 6,31 196,7 kg	140×100×140 590×240×390 mm	30 840 pcs

Warranty
 2/3 years *

Norms
 EN 274

Technical specifications

- Flow rate 49 l/min
- Thermal resistance 95 °C
- Odour trap 50 mm