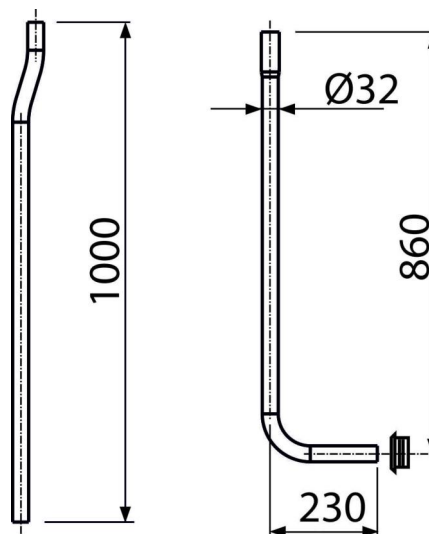


A95

Flush pipe DN32 in two parts + wrapping seal



Application

To connect flushing tanks to the WC pan

Features

- Material: ABS
- Split flush pipe Ø32 mm

Scope of supply

- Elbow Ø35 mm
- Pipe Ø32 mm
- Wrapping seal 55-58/32

Order number, Logistic information

Code	EAN	Weight (piece packing palett)	Dimensions (piece packing)	Quantity (packing palett)
A95	8594045933413	0,27 0,27 - kg	1000x64x230 - mm	1 - pc

Warranty

2/2 years *