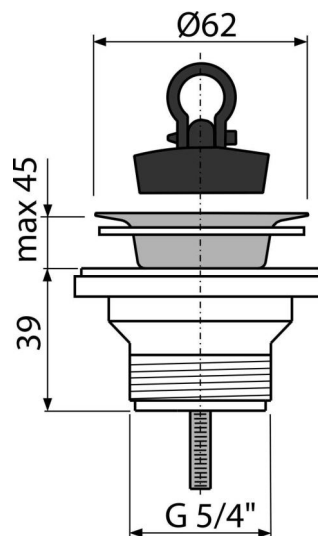
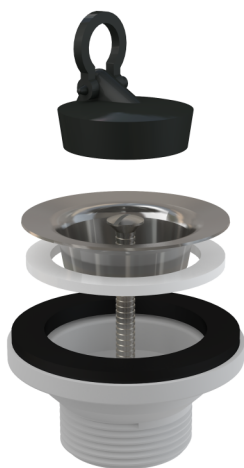


A31

Wash-basin waste 5/4" with stainless steel grid DN63



Application

For wash-basins

Features

- Material: polypropylene
- Thread for connection to wash-basin trap 5/4"

Scope of supply

- Stainless steel outlet grid
- Shower waste body
- PVC plug

Order number, Logistic information

Code	EAN	Weight (piece packing palett)	Dimensions (piece packing)	Quantity (packing palett)
A31	8594045933475	0,08 8,01 244,3 kg	80x60x80 590x240x390 mm	100 2800 pcs

Warranty

2/3 years *

Norms

EN 274

Technical specifications

- Thread 5/4"