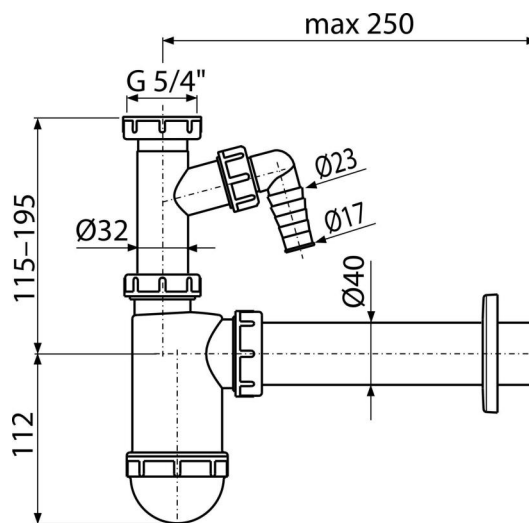


A43P

Wash-basin trap DN40 with connector and coupling nut 5/4"



Application

For wash-basin

Features

- Material: polypropylene
- Connection to waste pipe $\varnothing 40$ mm
- With connector for washing machine or dishwasher

Scope of supply

- Nut to connect wash-basin waste 5/4"
- Plastic rosette
- Sink trap body with connector

Order number, Logistic information

Code	EAN	Weight (piece packing palett)	Dimensions (piece packing)	Quantity (packing palett)
A43P	8594045933543	0,28 6,91 213,4 kg	230x70x150 590x240x390 mm	25 700 pcs

Warranty

2/3 years *

Norms

EN 274

Technical specifications

- Hose connector 17-23 mm
- Flow rate 38 l/min
- Thermal resistance 95 °C
- Odour trap 58 mm