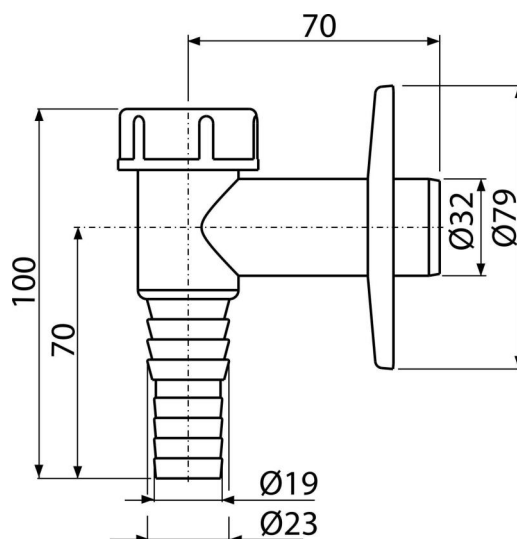


# APS2

External washing machine trap, white DN32



### Application

To connect the washing machine or dishwasher

### Features

- Material: ABS
- Hose connection Ø19 and Ø23 mm
- Connection to waste pipe Ø32 mm
- Service access for easy cleaning
- Dry odour flap against odours from the sewer

### Scope of supply

- Odour trap ball with a spring
- Plastic rosette
- Waste and trap body

### Order number, Logistic information

Code	EAN	Weight (piece   packing   palett)	Dimensions (piece   packing)	Quantity (packing   palett)
APS2	8594045933703	0,07   7,33   225,2 kg	100x80x90   590x240x390 mm	100   2800 pcs

### Warranty

2/3 years \*

### Norms

EN 274

### Technical specifications

- Hose connection 19-23 mm
- Waste pipe diameter 32 mm