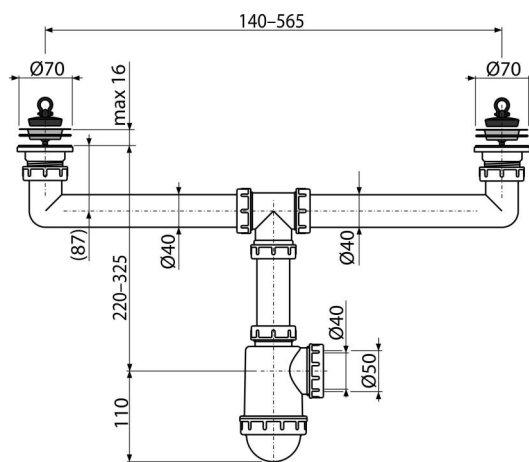


A449-DN50/40

Double sink wastes and trap with stainless steel grids DN70



Application

For two-piece sinks

Features

- Material: polypropylene
- Waste outlet ready for connection to drain pipe Ø50 mm or Ø40 mm

Scope of supply

- Stainless steel outlet grid 2 pcs
- Waste and trap body with two outlets
- PVC plug 2 pcs

Order number, Logistic information

Code	EAN	Weight (piece packing palett)	Dimensions (piece packing)	Quantity (packing palett)
A449-DN50/40	8594045933727	50 mm 0,61 6,05 189,5 kg	340×100×240 590×240×390 mm	10 280 pcs

Warranty

2/3 years *

Norms

EN 274

Technical specifications

- Flow through two outlets 83,4 l/min
- Flow through one outlet 49,8 l/min
- Thermal resistance 95 °C
- Odour trap 50 mm