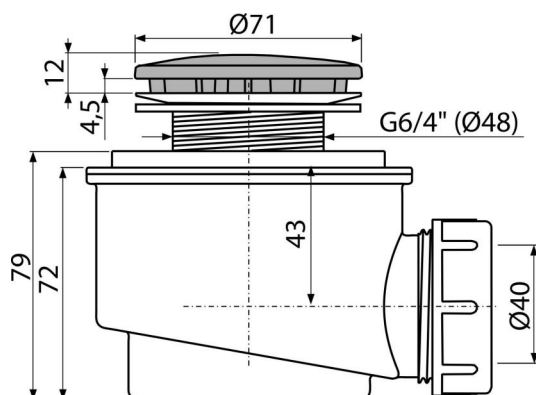


A47CR-50

Shower waste and trap, chrome



Application

To drain the water from the shower trays
For shower trays without overflow
For shower trays with a drain outlet Ø50 mm

Features

- Material: polypropylene, thermally and chemically resistant, longitudinally welded
- Waste can be connected using elbow A52
- Self-cleaning design of trap
- Building height 79 mm
- Removable basket for debris

Scope of supply

- Assembly kit
- Chrome-plated waste and trap cover
- Waste and trap body

Order number, Logistic information

Code	EAN	Weight (piece packing palett)	Dimensions (piece packing)	Quantity (packing palett)
A47CR-50	8594045934014	50 mm 0,21 6,38 198,7 kg	140×100×140 590×240×390 mm	30 840 pcs

Warranty

2/3 years *

Norms

EN 274

Technical specifications

- Flow rate 48 l/min
- Thermal resistance 95 °C
- Odour trap 50 mm