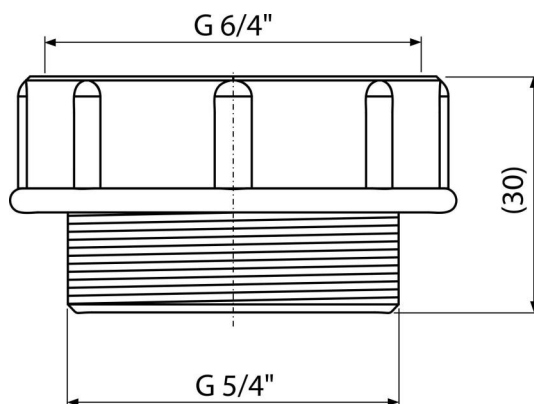


S0506-ND

Reduction 5/4"×6/4"



Application

For fixing the wash-basin trap at the sink waste

Features

- Material: polypropylene

Scope of supply

- Reduction 5/4" × 6/4"
- Seal

Order number, Logistic information

Code	EAN	Weight (piece packing palett)	Dimensions (piece packing)	Quantity (packing palett)
S0506-ND	8594045934809	0,01 1,38 64,2 kg	50×30×50 – mm	100 3200 pcs

Warranty

2/2 years *