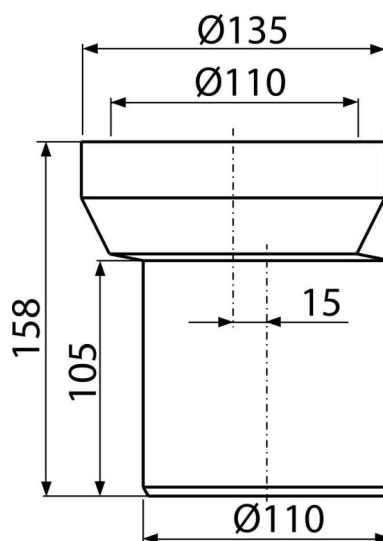


A92

WC connector – eccentric



Application

To connect the WC bowl to the drain pipe

Features

- Material: polypropylene
- Connection to waste Ø110 mm
- Off-axis 15 mm

Scope of supply

- Seal
- Pipe

Order number, Logistic information

Code	EAN	Weight (piece packing palett)	Dimensions (piece packing)	Quantity (packing palett)
A92	8594045935219	0,26 7,91 146,5 kg	158x135x138 590x430x390 mm	30 480 pcs

Warranty

2/2 years *