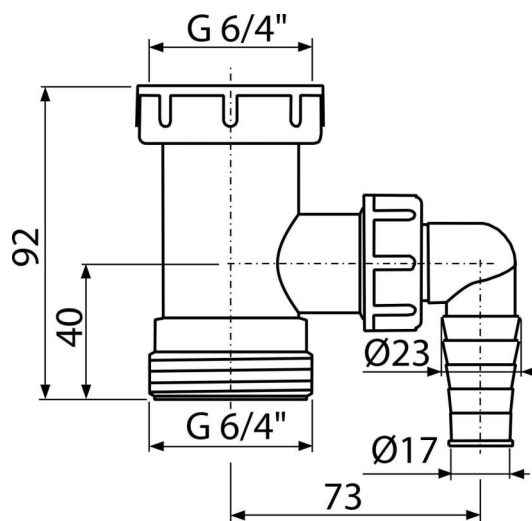


A30

Adapter pipe 6/4" with connector



Application

For sink wastes and traps

To connect the washing machine or dishwasher

Features

- Material: polypropylene
- With connector for washing machine or dishwasher
- Thread for connection to the sink trap 6/4"

Scope of supply

- Adapter 6/4" with connector

Order number, Logistic information

Code	EAN	Weight (piece packing palett)	Dimensions (piece packing)	Quantity (packing palett)
A30	8594045935257	0,07 5,48 173,3 kg	120x50x110 590x240x390 mm	75 2100 pcs

Warranty

2/2 years *

Customs code

39174000

Technical specifications

- Hose connector 17-23 mm
- Thread for connection to the trap 6/4 "