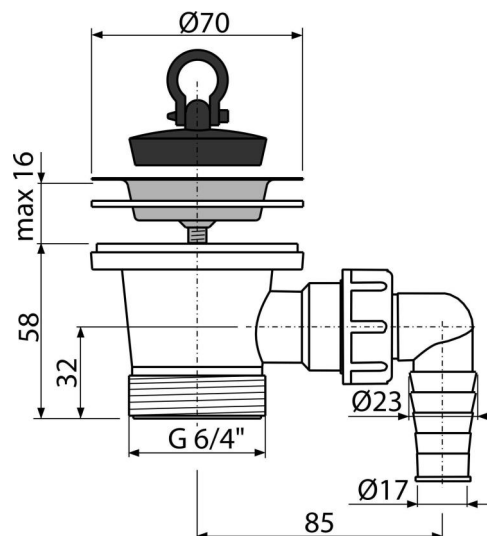


A33P

Sink waste 6/4" with stainless steel grid DN70 and with connector



Application

For sink wastes and traps

Features

- Material: polypropylene
- With connector for washing machine or dishwasher
- Thread for connection to the sink trap 6/4"

Scope of supply

- Stainless steel outlet grid
- Shower waste body with connector
- PVC plug

Order number, Logistic information

| Code | EAN | Weight (piece packing palett) | Dimensions (piece packing) | Quantity (packing palett) |
|------|---------------|--------------------------------------|---------------------------------|--------------------------------|
| A33P | 8594045935264 | 0,13 9,39 282,9 kg | 135x80x90 590x240x390 mm | 75 2100 pcs |

Warranty

2/3 years *

Norms

EN 274

Technical specifications

- Hose connector 17-23 mm
- Thread for connection to the trap 6/4 "