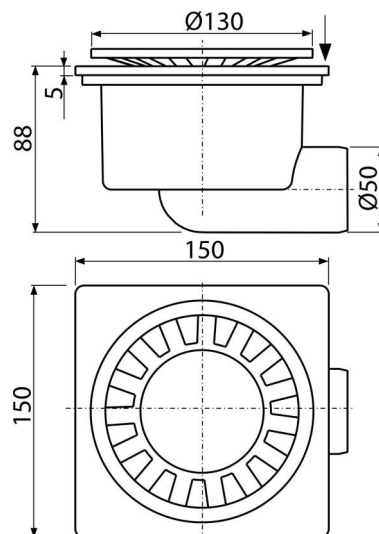


APV15

Floor drain 150×150/50 mm side outlet, white grid, wet odour trap



Application

For wheelchair access
 For drainage of floor level showers
 For the interior, where will be frequent use associated with the regular water runoff into the floor drain (bathrooms)

Features

- Side connection to waste Ø50 mm
- Material: ABS
- Plastic grid Ø130 mm
- Wet odour trap prevents the penetration of odours from the sewer

Scope of supply

- Plastic grid with integrated wet odour trap – white
- Floor drain body Ø50 mm, side outlet

Order number, Logistic information

Code	EAN	Weight (piece packing palett)	Dimensions (piece packing)	Quantity (packing palett)
APV15	8594045935271	0,35 7,08 133,3 kg	90×160×150 590×240×390 mm	20 320 pcs

Warranty	Customs code	Norms
2/6 years *	39269097	EN 1253

Technical specifications

- Total installation height 88 mm
- Waste pipe diameter 50 mm
- Flow of the inlet grid 24 l/min
- Load class K3 300 kg
- Odour trap 20 mm