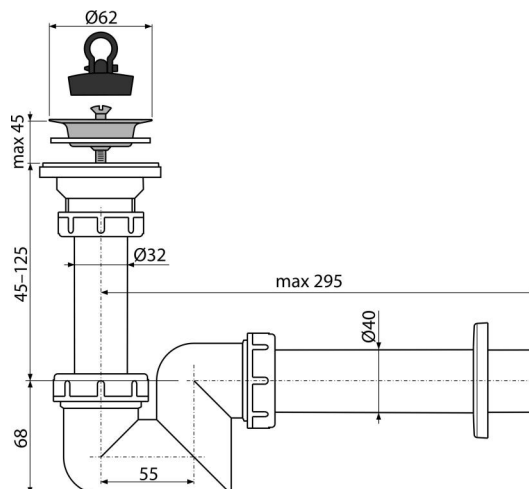


A412-DN40

Wash-basin waste and trap "S" DN40 with stainless steel grid DN63



Application

For wash-basin

Features

- Material: polypropylene
- Connection to waste pipe Ø40 mm

Scope of supply

- Stainless steel outlet grid
- Plastic rosette
- Waste and trap body
- PVC plug

Order number, Logistic information

Code	EAN	Weight (piece packing palett)	Dimensions (piece packing)	Quantity (packing palett)
A412-DN40	8594045935325	40 mm 0,29 7,34 225,5 kg	240x80x180 590x240x390 mm	20 560 pcs

Warranty

2/3 years *

Norms

EN 274

Technical specifications

- Flow rate 57 l/min
- Thermal resistance 95 °C
- Odour trap 5 mm