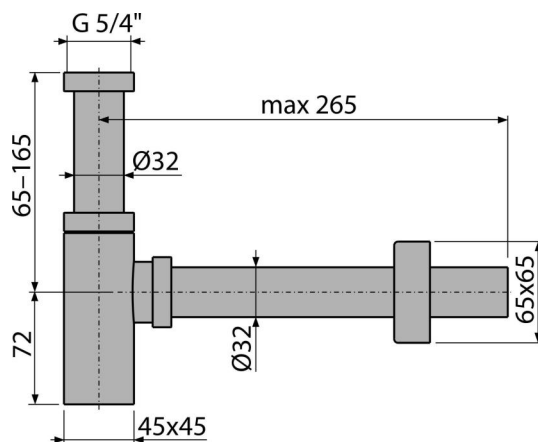


# A401

Wash-basin trap DN32 DESIGN metal, square



### Application

For wash-basin

### Features

- Material: chrome-plated brass
- Connection to waste pipe Ø32 mm
- High scratch resistance

### Scope of supply

- Nut to connect wash-basin waste 5/4"
- Metal rosette
- Waste and trap body

### Order number, Logistic information

Code	EAN	Weight (piece   packing   palett)	Dimensions (piece   packing)	Quantity (packing   palett)
A401	8594045935356	1,17   14,01   412,1 kg	330x150x70   590x240x390 mm	12   336 pcs

Warranty	Customs code	Norms
2/3 years *	74182000	EN 274

### Technical specifications

- Flow rate 30 l/min