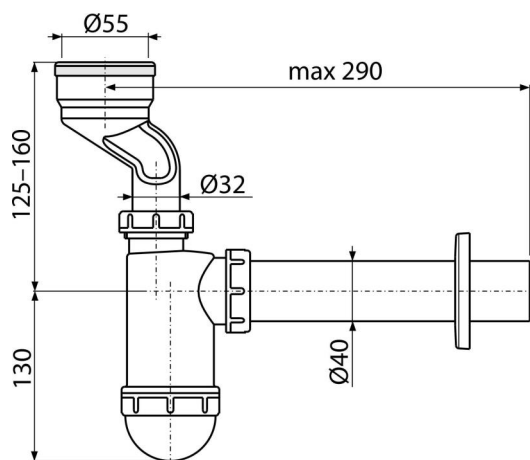


A45A

Urinal trap with rubber sleeve



Application

For urinal with vertical outlet

Features

- Material: polypropylene
- Connection to waste pipe Ø40 mm

Scope of supply

- Plastic rosette
- Waste and trap body
- Wrapping seal

Order number, Logistic information

Code	EAN	Weight (piece packing palett)	Dimensions (piece packing)	Quantity (packing palett)
A45A	8594045935400	0,26 6,60 204,7 kg	260x140x80 590x240x390 mm	25 700 pcs

Warranty

2/3 years *

Customs code

39229000

Norms

EN 274

Technical specifications

- Flow rate 38 l/min
- Thermal resistance 95 °C
- Odour trap 58 mm