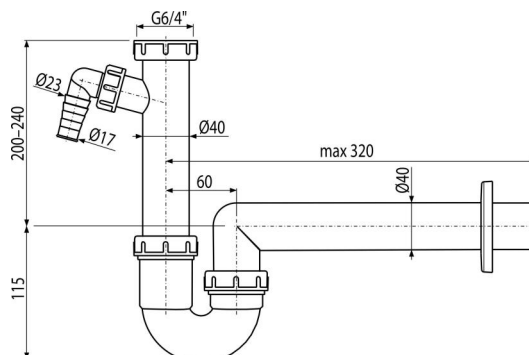


A81-DN40

Pipe trap with coupling nut 6/4" and connector



Application

For sink

Features

- Material: polypropylene
- Connection to waste pipe Ø40 mm
- With connector for washing machine or dishwasher

Scope of supply

- Nut to connect sink waste 6/4"
- Plastic rosette
- Sink trap body with connector

Order number, Logistic information

Code	EAN	40 mm	Weight (piece packing palett)	Dimensions (piece packing)	Quantity (packing palett)
A81-DN40	8594045935462		0,38 5,77 181,4 kg	330x90x190 590x240x390 mm	15 420 pcs

Warranty

2/3 years *

Norms

EN 274

Technical specifications

- Hose connector 17-23 mm
- Flow rate 60 l/min
- Thermal resistance 95 °C
- Odour trap 64 mm