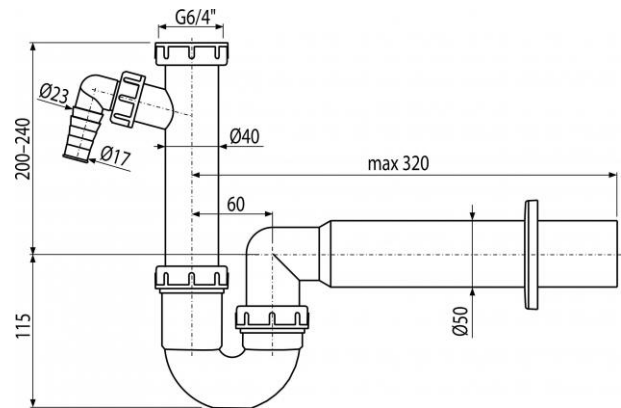


A81-DN50

Pipe trap with coupling nut 6/4" and connector



Application

For sink

Features

- Connection to waste pipe Ø50 mm
- With connector for washing machine or dishwasher
- Material: polypropylene

Norms

EN 274

Scope of supply

- Sink trap body with connector
- Nut to connect sink waste 6/4"
- Plastic rosette

Order number

| Code | EAN |
|----------|---------------|
| A81-DN50 | 8594045935479 |

A81-DN50

Pipe trap with coupling nut 6/4" and connector

Technical specifications

- Odour trap 64 mm
- Flow rate 60 l/min
- Thermal resistance 95 °C
- Hose connector 17-23 mm

Guarantee

2/3 years

Customs code

39229000

| | |
|----------------------|----------------|
| Weight - piece | 0.3009 kg |
| Weight – packing | 4.5135 kg |
| Weight - pallet | kg |
| Dimensions - piece | 330×90×190 mm |
| Dimensions – packing | 590×240×390 mm |
| Quantity – packing | 15 pcs |
| Quantity – Palett | 420 pcs |