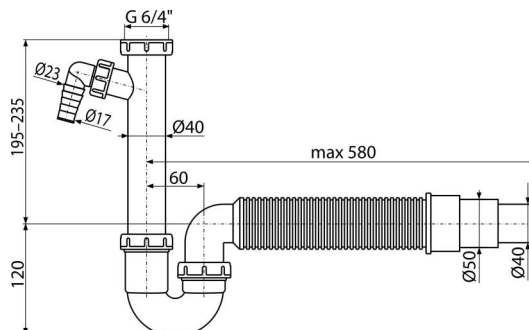


A83-DN50/40

Pipe trap with coupling nut 6/4", connector and flexi pipe



Application

For sink

Features

- Material: polypropylene
- Connection to waste pipe Ø40 mm or Ø50 mm
- With connector for washing machine or dishwasher

Scope of supply

- Flexi pipe
- Nut to connect sink waste 6/4"
- Sink trap body with connector

Order number, Logistic information

Code	EAN	Weight (piece packing palett)	Dimensions (piece packing)	Quantity (packing palett)
A83-DN50/40	8594045935486	50 mm 0,34 3,40 115,2 kg	500x120x220 590x240x390 mm	10 280 pcs

Warranty

2/3 years *

Norms

EN 274

Technical specifications

- Hose connector 17-23 mm
- Flow rate 60 l/min
- Thermal resistance 95 °C
- Odour trap 64 mm