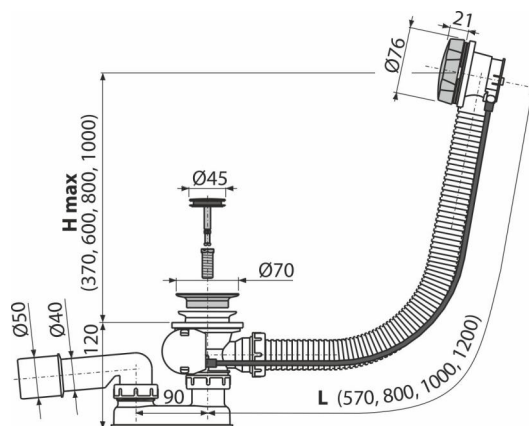


# A55K-100

Bath pop-up waste and trap, metal



## Application

To drain the water from the bath to the waste  
For bathtubs with drain outlet Ø52 mm  
For standard size bathtubs

## Features

- The length of the bathtub trap 57 cm
- Overflow flexi pipe
- Closing waste by pop-up mechanism
- Bath waste and overflow system
- Wet odour trap with swivel elbow

## Scope of supply

- Assembly kit
- Chrome-plated metal control knob
- Chrome-plated metal plug
- Chrome-plated brass outlet grid
- Waste and trap body with overflow
- Profiled seal
- Odour trap of polypropylene, thermally and chemically resistant, longitudinally welded

## Order number, Logistic information

Code	EAN	Weight (piece   packing   palett)	Dimensions (piece   packing)	Quantity (packing   palett)
A55K-100	8594045935530	100 mm 0,88   10,61   189,8 kg	380×85×145   595×435×395 mm	12   192 pcs

**Warranty**  
2/3 years \*

**Norms**  
EN 274

## Technical specifications

- Resistance of odour trap against the pressure 588 Pa
- Flow rate 51,6 l/min
- Overflow flow rate 42 l/min
- Thermal resistance 95 °C
- Odour trap 50 mm