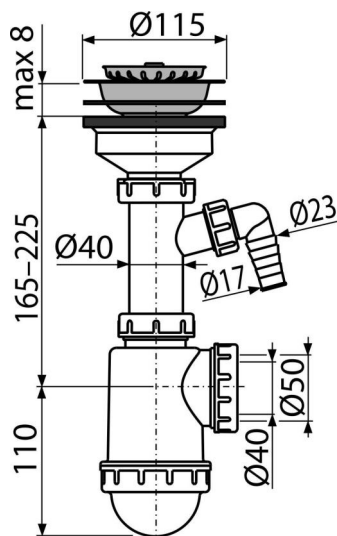


A446P-DN50/40

Sink waste and trap with stainless steel grid DN15 and connector



Application

For sink

Features

- Material: polypropylene
- With connector for washing machine or dishwasher
- Screen on the waste serves as a plug
- Waste outlet ready for connection to drain pipe $\varnothing 50$ mm or $\varnothing 40$ mm

Scope of supply

- Stainless steel outlet grid
- Stainless steel plug
- Sink trap body with connector

Order number, Logistic information

Code	EAN	Weight (piece packing palett)	Dimensions (piece packing)	Quantity (packing palett)
A446P-DN50/40	8594045935998	50 mm 0,46 6,84 211,6 kg	240x110x170 590x240x390 mm	15 420 pcs

Warranty

2/3 years *

Norms

EN 274

Technical specifications

- Hose connector 17 mm
- Flow rate 44 l/min
- Thermal resistance 95 °C
- Odour trap 53 mm