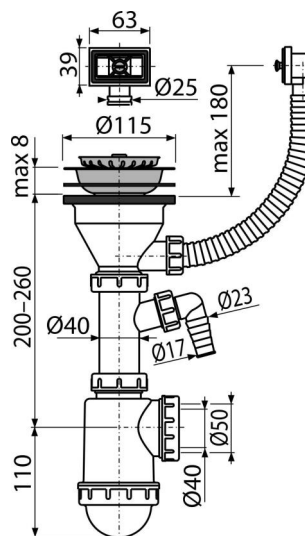


# A447P-DN50/40

Sink waste and trap with stainless steel grid DN15, flexi overflow and connector



## Application

For sink with overflow

## Features

- Material: polypropylene
- With connector for washing machine or dishwasher
- Screen on the waste serves as a plug
- Waste outlet ready for connection to drain pipe  $\varnothing 50$  mm or  $\varnothing 40$  mm

## Scope of supply

- Stainless steel outlet grid
- Stainless steel plug
- Sink trap body with connector and overflow

## Order number, Logistic information

Code	EAN	Weight (piece   packing   palett)	Dimensions (piece   packing)	Quantity (packing   palett)
A447P-DN50/40	8594045936018	50 mm 0,56   7,86   240,1 kg	280×120×180   590×240×390 mm	14   392 pcs

## Warranty

2/3 years \*

## Norms

EN 274

## Technical specifications

- Hose connector 17 mm
- Flow rate 44 l/min
- Thermal resistance 95 °C
- Odour trap 53 mm