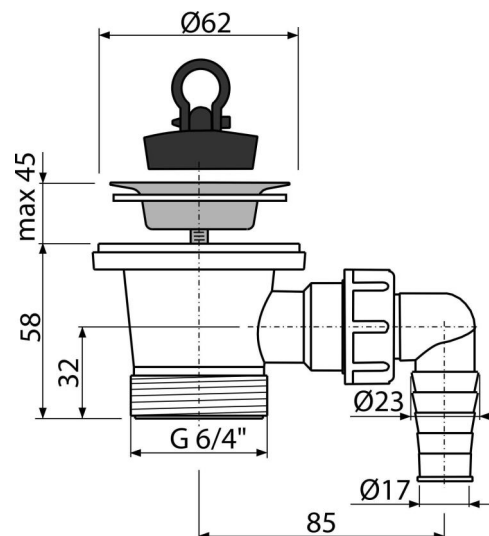


# A31P

Wash-basin waste 6/4" with stainless steel grid DN63 and connector



## Application

For wash-basins

## Features

- Material: polypropylene
- With connector for washing machine or dishwasher
- Thread for connection to wash-basin trap 6/4"

## Scope of supply

- Stainless steel outlet grid
- Shower waste body with connector
- PVC plug

## Order number, Logistic information

Code	EAN	Weight (piece   packing   palett)	Dimensions (piece   packing)	Quantity (packing   palett)
A31P	8594045936025	0,12   8,87   268,2 kg	135x80x90   590x240x390 mm	75   2100 pcs

## Warranty

2/3 years \*

## Norms

EN 274

## Technical specifications

- Hose connector 17-23 mm
- Thread 6/4 "