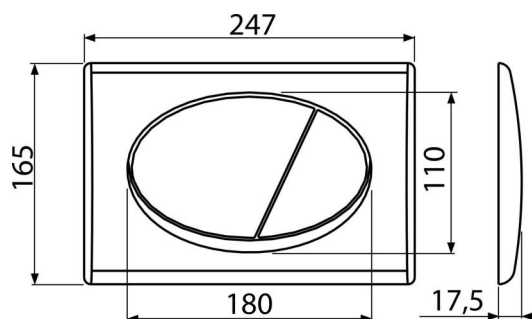


# M70

Flush plate for pre-wall installation systems, white-polished



### Application

For pre-wall installation systems and concealed WC cisterns

### Features

- Double-acting mechanical flushing
- Compatible for all pre-wall installation systems and cisterns for building into solid walls Alca
- Material: plastic
- Surface finish: white

### Scope of supply

- Template for correct flush plate setup
- Flushing mechanism screws 2 pcs
- Flush plate
- Fixing frame of the flush plate
- Threaded frame clamp 2 pcs

### Order number, Logistic information

Code	EAN	Weight (piece   packing   palett)	Dimensions (piece   packing)	Quantity (packing   palett)
M70	8594045936193	0,38   9,60   288,7 kg	250×40×175   595×245×395 mm	25   700 pcs

### Warranty

2/2 years \*

### Technical specifications

- Operating force < 20 N