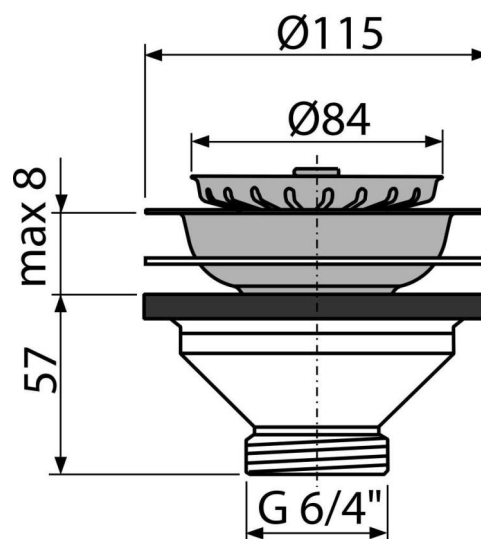


A37

Sink waste 6/4" with stainless steel grid DN115



Application

For sink wastes and traps

Features

- Material: polypropylene
- Screen on the waste serves as a plug
- Thread for connection to the sink trap 6/4"

Scope of supply

- Stainless steel outlet grid
- Stainless steel plug
- Shower waste body

Order number, Logistic information

Code	EAN	Weight (piece packing palett)	Dimensions (piece packing)	Quantity (packing palett)
A37	8594045936285	0,20 10,08 302,2 kg	120x70x120 590x240x390 mm	50 1400 pcs

Warranty

2/3 years *

Norms

EN 274

Technical specifications

- Thread for connection to the trap 6/4 "