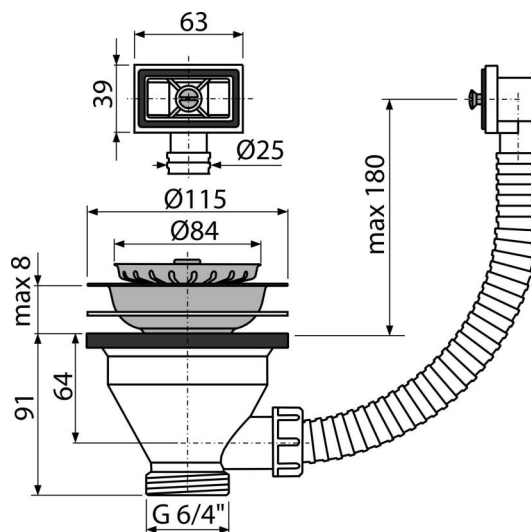


A38

Sink waste 6/4" with stainless steel grid DN115 and flexi overflow



Application

For sink with overflow
For sink wastes and traps

Features

- Material: polypropylene
- Screen on the waste serves as a plug
- Thread for connection to the sink trap 6/4"

Scope of supply

- Stainless steel outlet grid
- Stainless steel plug
- Sink waste body with overflow

Order number, Logistic information

Code	EAN	Weight (piece packing palett)	Dimensions (piece packing)	Quantity (packing palett)
A38	8594045936292	0,32 7,97 243,2 kg	300×100×170 590×240×390 mm	25 700 pcs

Warranty	Customs code	Norms
2/3 years *	39229000	EN 274

Technical specifications

- Thread for connection to the trap 6/4 "