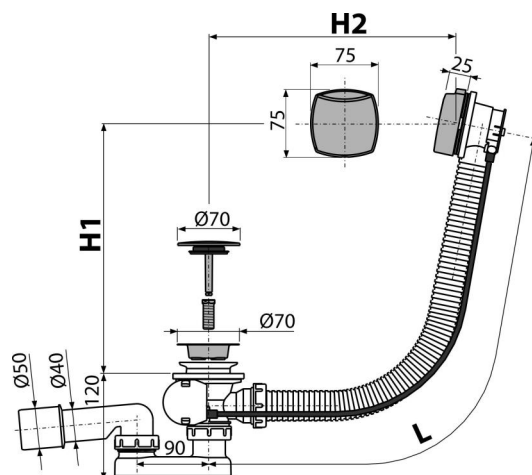


A51CRM-80

Bath pop-up waste and trap, chrome



Application

To drain the water from the bath to the waste
For bathtubs with drain outlet Ø52 mm
For standard size bathtubs

Features

- The length of the bathtub trap 80 cm
- Overflow flexi pipe
- Closing waste by pop-up mechanism
- Bath waste and overflow system
- Wet odour trap with swivel elbow

Scope of supply

- Assembly kit
- Chrome-plated stainless steel outlet grid
- Chrome-plated plastic control knob
- Chrome-plated plastic plug
- Waste and trap body with overflow
- Profiled seal
- Odour trap of polypropylene, thermally and chemically resistant, longitudinally welded

Order number, Logistic information

| Code | EAN | Weight (piece packing palett) | Dimensions (piece packing) | Quantity (packing palett) |
|-----------|---------------|--------------------------------------|---------------------------------|--------------------------------|
| A51CRM-80 | 8594045936605 | 80 mm 0,75 14,98 259,6 kg | 380×85×145 595×435×395 mm | 20 320 pcs |

Warranty

2/3 years *

Norms

EN 274

Technical specifications

- Resistance of odour trap against the pressure 588 Pa
- Flow rate 51,6 l/min
- Overflow flow rate 42 l/min
- Thermal resistance 95 °C
- Odour trap 50 mm